

Materialprüfungsamt Nordrhein-Westfalen · 44285 Dortmund

dormakaba Deutschland GmbH  
DORMA Platz 1  
58256 Ennepetal, Germany

Ihre Nachricht vom: 20.11.2017  
Mein Zeichen: mei  
Durchwahl: 493  
E-Mail: meinks@mpanrw

[www.mpanrw.de](http://www.mpanrw.de)

Datum: 18.12.17

### Extension of validity of a test certificate.

Dear Ladies and Gentleman,

Concerning the results of the initial type test carried out with the controlled door closing device TS 93 B/G EN 1-5 you applied for the extension of validity of test certificate no. 120004087.10-02.

The tests have been carried out on the base of the EN 1154:1996/A1:2002/AC:2006 (see test report no. 120004087.10-01).

You have also assured that the door closer was not modified since the initial type test.

Therefore the validity of the test certificate no. 120004087.10-02 is extended up to November, 1st 2022.

Best regards

By order



Thorsten Meinks  
Regierungsbauoberamtsinspektor

### Appendices

Hausanschrift  
Marsbruchstraße 186  
D-44287 Dortmund  
Telefon (0231) 45 02-0  
Telefax (0231) 45 85 49  
E-Mail: [info@mpanrw.de](mailto:info@mpanrw.de)  
Internet: [www.mpanrw.de](http://www.mpanrw.de)

Bahnstation: Dortmund-Hbf.  
Telegramme: prüfamt Dortmund  
Öffentliche Verkehrsmittel  
Stadtbahn U47 ab Hbf.  
Richtung Aplerbeck  
bis „Allerstraße“

Außenstelle Erwitte  
Auf den Thränen  
D-59597 Erwitte  
Telefon (0 29 43) 897-0  
Telefax (0 29 43) 897-33  
E-Mail: [info@mpanrw.de](mailto:info@mpanrw.de)  
Internet: [www.mpanrw.de](http://www.mpanrw.de)

Bankverbindungen  
Deutsche Bundesbank Filiale Dortmund  
IBAN DE14 4400 0000 0044 0018 15  
BIC MARKDEF 1440  
BLZ 440 000 00  
Kto. 440 018 15  
**Ust.-IdNr.: DE 124 728 648**

**TEST CERTIFICATE No. 120004087.10-02**

1st Copy

**Contracting Party**

DORMA GmbH & Co. KG  
DORMA Platz 1  
D-58256 Ennepetal

**Date of order:** 09.03.2012

**Date of receive of samples:** 08.02.2012

**Date of receive of documentation:** 21.09.2012

**Date of test:** 08.02.2012 to 30.10.2012

**Order**

Testing of door closing devices in accordance with DIN EN 1154: 2003-04 (German Version EN 1154:1997+A1:2002).

**Description of samples**

Overhead door closers with adjustable closing force, adjustable latch, adjustable backcheck, adjustable delayed action and sliding rail.

„DORMA TS 93B/G EN 1-5“.

The door closers are to be fixed as per annex 1 to 2.

**Description of the test and test results**

See test report No. 120004087.10-01.

**Evaluation of the test results and classification**

The following door closers fulfil the requirements of the DIN EN 1154: 2003-04.

They are classified as follows in accordance with sec. 4 of DIN EN 1154.

Product	Installation	Classification key					
DORMA TS 93 B EN 1-5	Installation on the door at the opening side	4	8	5 1	1	1	0
DORMA TS 93 G EN 1-5	Installation on the door frame at the opening side of the door	4	8	5 1	1	1	0

Dortmund, October 30<sup>th</sup> 2012

By order

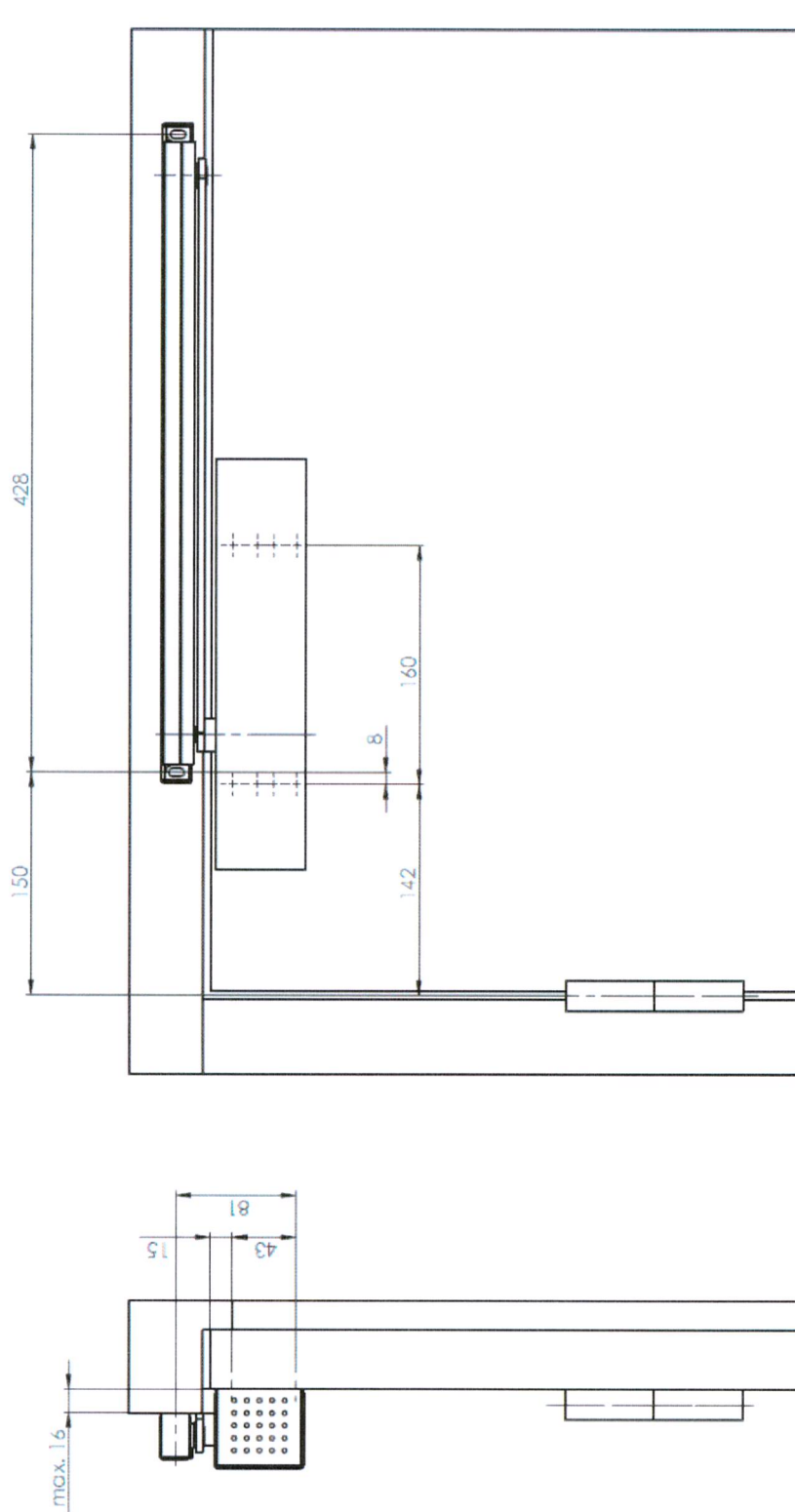
*Jansen*



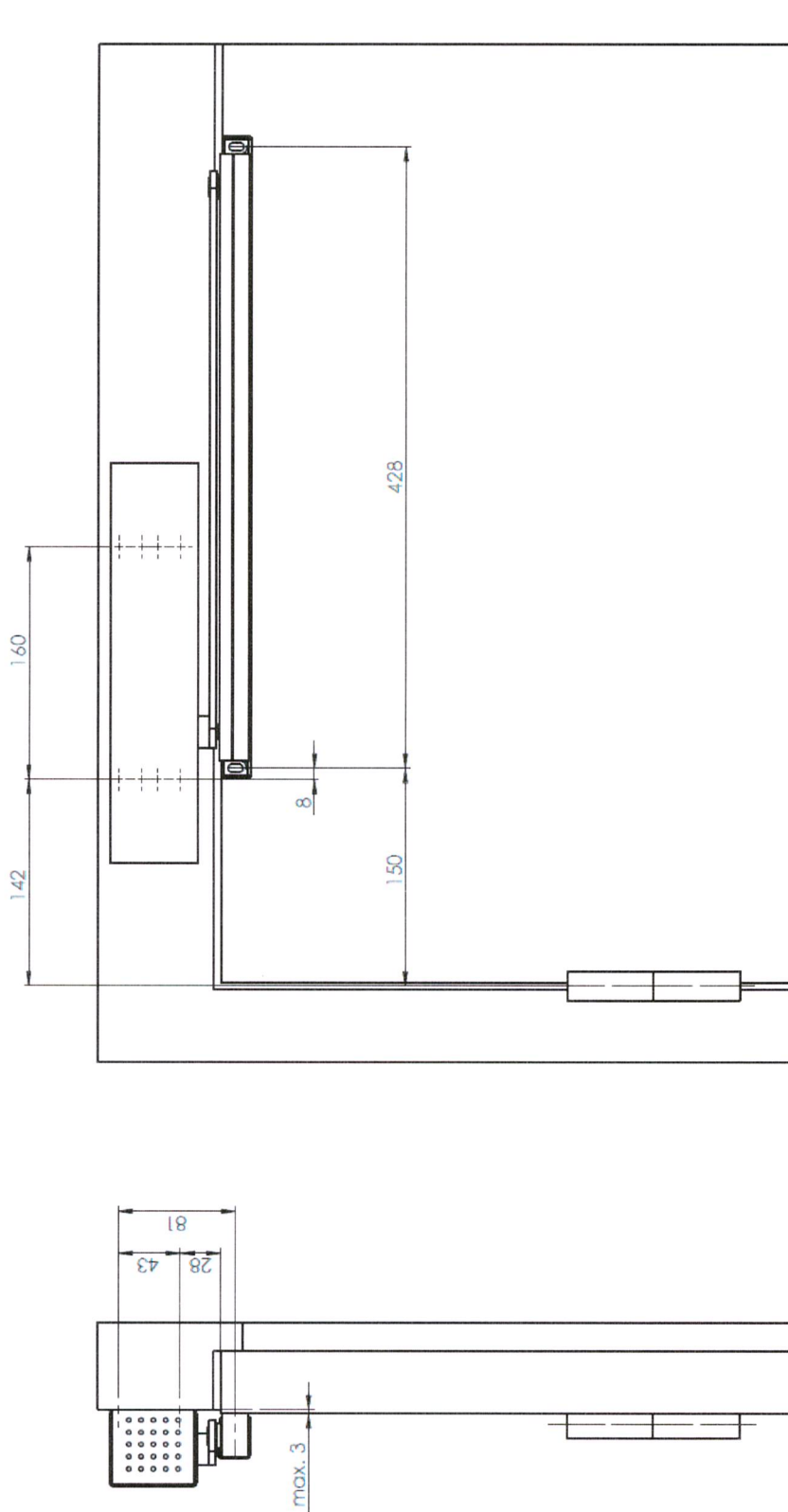
*Th. Meinks*

Dipl.-Ing. H. Jansen  
Head of test laboratory

Thorsten Meinks  
Technischer Amtsinspektor

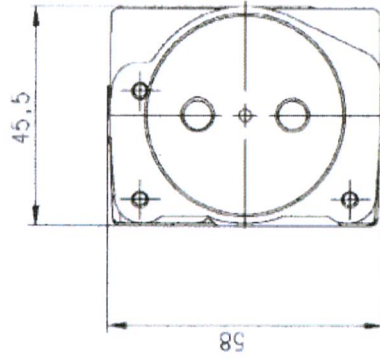


Obentürschließer DORMA TS93 B EN 1-5 Overhead door closer with slide channel	
Türblattmontage Bandseite Door leaf fixing on the hinge side (pull side)	

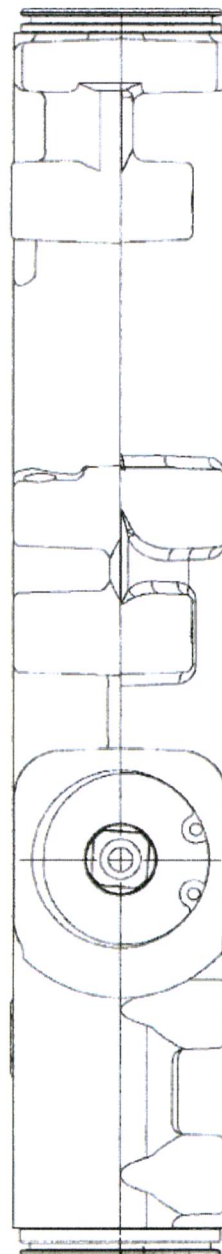
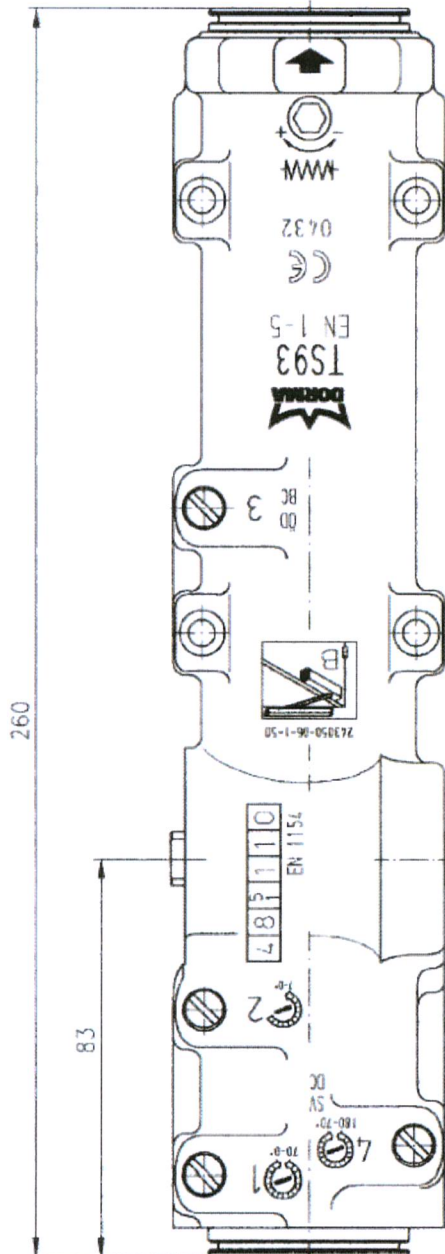


Obentürschließer DORMA TS93 GEN 1-5  
 Overhead door closer with slide channel

Kopfmontage Bandsseite  
 Frame fixing (pull side)

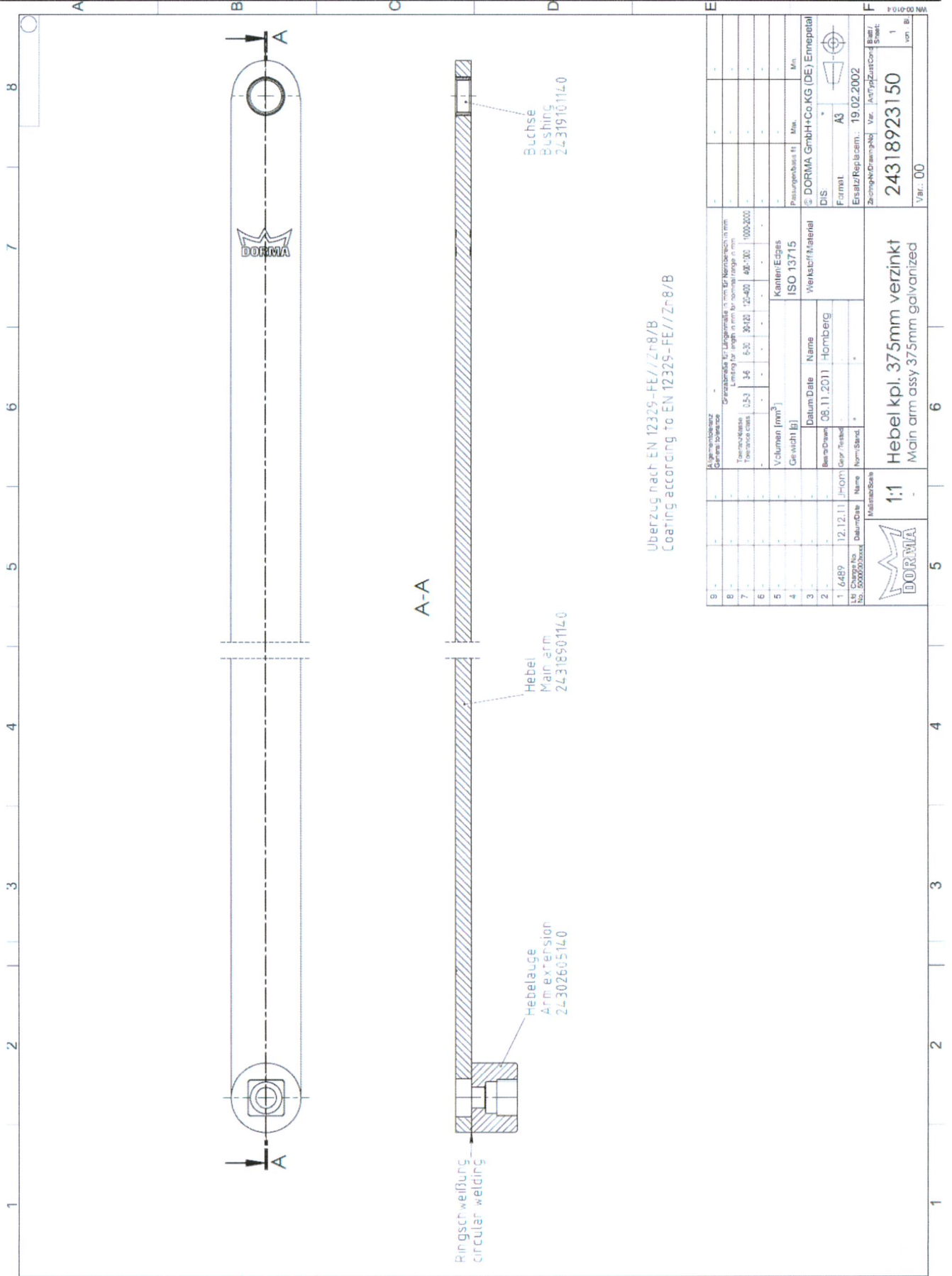


Gehäuse kpl. TS93 EN 1-5  
 Housing Assy TS93 EN 1-5



Test Certificate No. 120004087.10-02 from October, 30th 2012

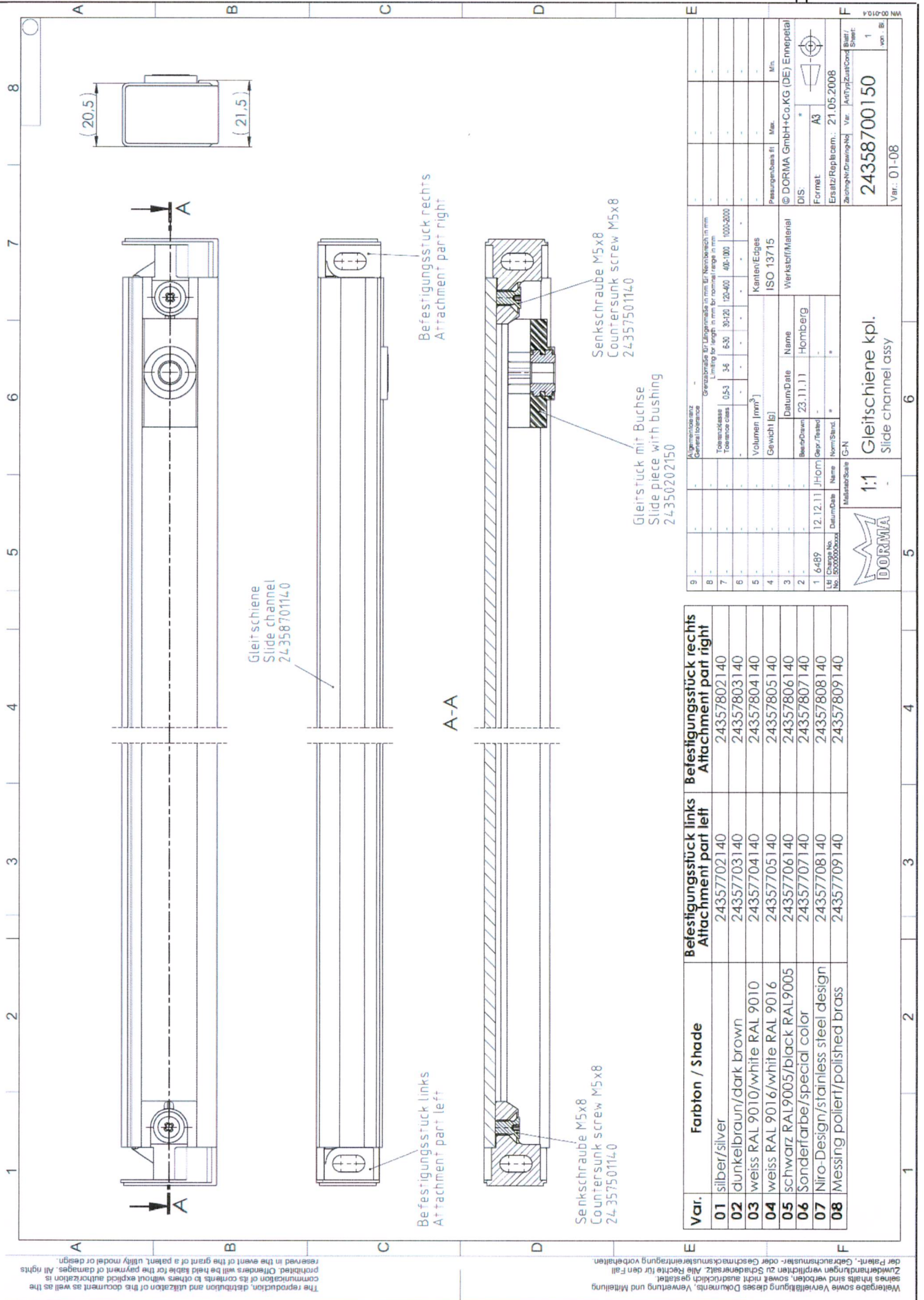
appendix 4 of 5



Überzug nach EN 12325-FE//Zn8/B  
 Coating according to EN 12325-FE//Zn8/B

A) Eigenschaften		B) Grenzabstände		C) Grenzabstände für Längsmessung		D) Grenzabstände für Querschnittsmessung		E) Kennlinien		F) Material		G) Form		H) Zeichnung	
Größe	Wert	Größe	Wert	Größe	Wert	Größe	Wert	Größe	Wert	Größe	Wert	Größe	Wert	Größe	Wert
1	1,689	1	12,12,11	1	1,689	1	12,12,11	1	1,689	1	12,12,11	1	1,689	1	12,12,11
2	1,689	2	12,12,11	2	1,689	2	12,12,11	2	1,689	2	12,12,11	2	1,689	2	12,12,11
3	1,689	3	12,12,11	3	1,689	3	12,12,11	3	1,689	3	12,12,11	3	1,689	3	12,12,11
4	1,689	4	12,12,11	4	1,689	4	12,12,11	4	1,689	4	12,12,11	4	1,689	4	12,12,11
5	1,689	5	12,12,11	5	1,689	5	12,12,11	5	1,689	5	12,12,11	5	1,689	5	12,12,11
6	1,689	6	12,12,11	6	1,689	6	12,12,11	6	1,689	6	12,12,11	6	1,689	6	12,12,11
7	1,689	7	12,12,11	7	1,689	7	12,12,11	7	1,689	7	12,12,11	7	1,689	7	12,12,11
8	1,689	8	12,12,11	8	1,689	8	12,12,11	8	1,689	8	12,12,11	8	1,689	8	12,12,11
9	1,689	9	12,12,11	9	1,689	9	12,12,11	9	1,689	9	12,12,11	9	1,689	9	12,12,11

The reproduction, distribution and utilization of the document as well as the communication of its contents to others without explicit authorisation is prohibited. Offenders will be held liable for the payment of damages. All rights reserved in the event of the grant of a patent, utility model or design.



The reproduction, distribution and utilization of this document as well as the communication of its contents to others without explicit authorization is prohibited. Offenders will be held liable for the payment of damages. All rights reserved in the event of the grant of a patent, utility model or design.

Wiedergabe sowie Vervielfältigung dieses Dokuments, Verwertung und Mitteilung seines Inhalts sind verboten, soweit nicht ausdrücklich gestattet. Zuwiderhandlungen verpflichten zu Schadenersatz. Alle Rechte für den Fall der Patent-, Gebrauchsmuster- oder Geschmacksmerkmalstreue vorbehalten.